



**DSE-FCA3018S**  
 FIRECLAY APRON-FRONT SINK



**Style:**

- Reversible Apron Front
- Kitchen Sink
- Single Bowl

**Material:**

- Fire Clay

**Size:**

- Overall: 29.9375"x17.875"x10"

**Features:**

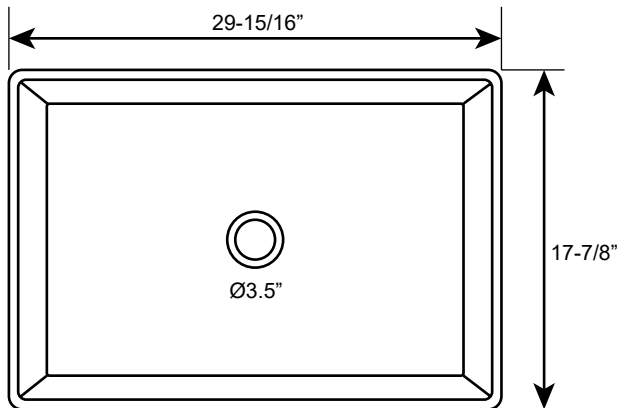
- 2 Apron Styles
- Apron 1: Double Pin-Striped
- Apron 2: Scalloped

**Certifications:**

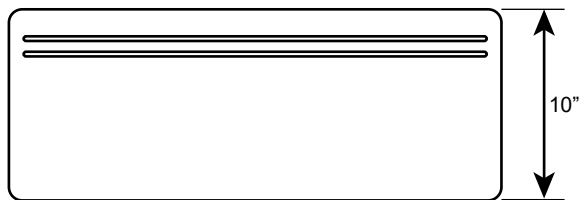
- cUPC

**Warranty:**

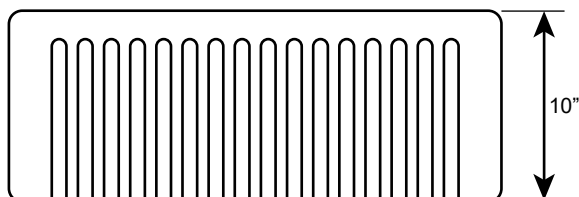
- Lifetime Limited Warranty



A surface



B surface



**Available Color/Finish**

