



**DSE-FCA5050S**  
 FIRECLAY APRON-FRONT SINK



**Style:**

- Reversible Apron Front
- Kitchen Sink
- 50/50 Double Bowl

**Material:**

- Fire Clay

**Size:**

- Overall: 33.25"x17.9375"x10"

**Features:**

- 2 Apron Styles
- Apron 1: Double Pin-Striped
- Apron 2: Scalloped

**Certifications:**

- cUPC



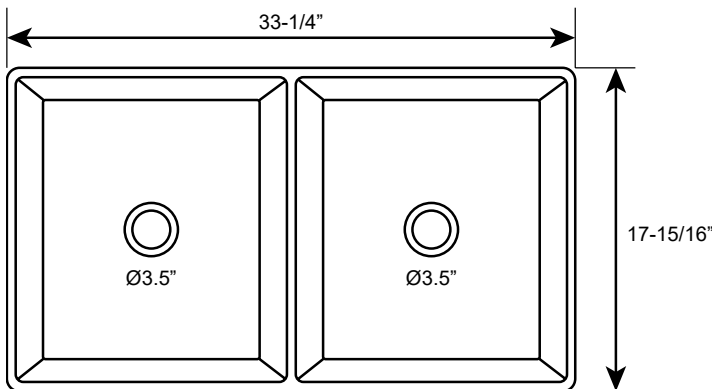
**Warranty:**

- Lifetime Limited Warranty

**Available Color/Finish**



White



A surface



B surface

