



DSA-EAS

UPC:



Easy to Install:

Air Switch Kit can be mounted easily to any Sink or Counter top installation.



High Versatility:

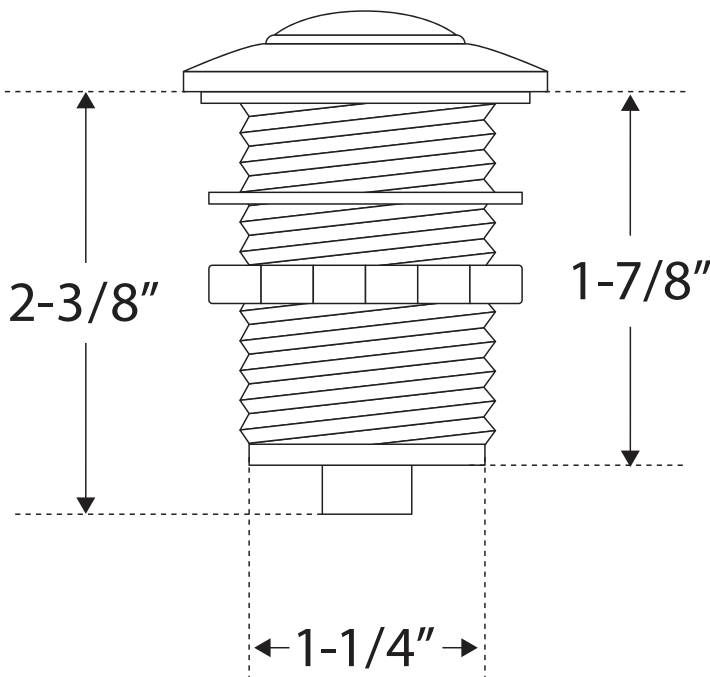
Works with any model/brand of garbage disposal. A stylish alternative to traditional wall switches, and perfect for Island Installations.

Certifications:

- CE
- ETL
- CB
- CSA
- ROHS

Warranty:

- Lifetime Limited Warranty



Available Color/Finish



CR - Chrome
BN - Brushed Nickel

Included Components

- Air Switch Button/Body
- Plastic Washer
- Plastic Nut
- Power Module with AC Socket
- 3ft. Power Cable
- 40in. Air Tube