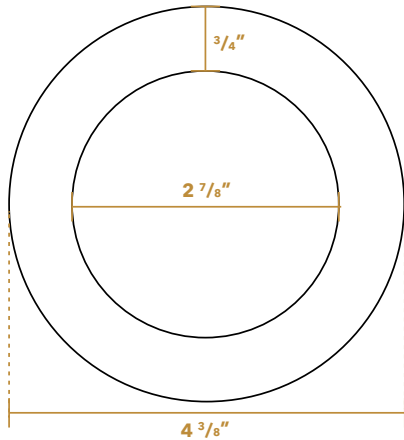


# DSA-PDFHL

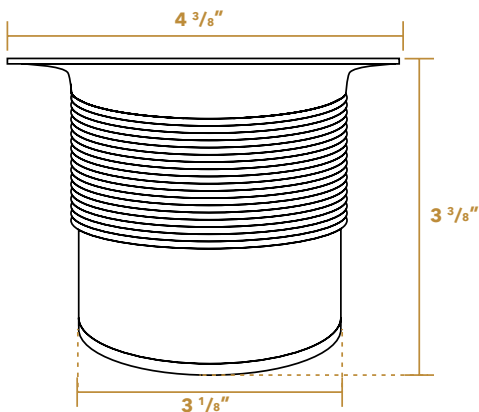
Premium Disposal Flange | Heavy/Long



TOP



SIDE



## Info:

Premium 304 Stainless Steel  
Garbage Disposal Flange

For use with Dakota<sup>™</sup> brand Fire  
Clay Sinks



## Features:

- Extra long threaded shaft
- Heavy Duty Construction

## Certifications:

- CE
- ETL
- CB
- CSA
- ROHS

## Warranty:

- Lifetime Limited Warranty

## Available Color/Finish



Actual color may vary depending on lighting.

## Applies to Models:

- DSA-PDFHLBN
- DSA-PDFHLCP
- DSA-PDFHLGD
- DSA-PDFHLGBK
- DSA-PDFHLSV