



# DSF-07KPF00

UPC:



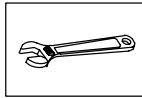
### Notes before installation:

1. Please check that all components are present.
2. Before installation ensure that all feed lines are clear of debris and on/off valve is present.
3. Ensure water pressure is between 20-125 PSI (Includes combination of hot and cold feed lines).
4. Pictures in the manual are general in content and may not represent exactly your purchased faucet. If you are having difficulties please contact a professional plumber.
5. If you will be away from home for an extended period you should shut off the main water supply.

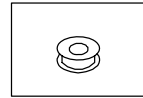
### Daily maintenance

1. Use a soft cloth and vinegar to remove hard-water spots.
2. Check aerator (if present) regularly for calcium build up are when water stream is not optimum.
3. DO NOT use caustic cleaning products as the use will break down finish and will void the product warranty.
4. Acceptable cleaners include vinegar or mild non-abrasive liquid detergents.
5. If the water pressure appears to be less than optimum remove, inspect, clean or replace aerator.

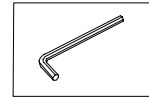
## Tools you will need:



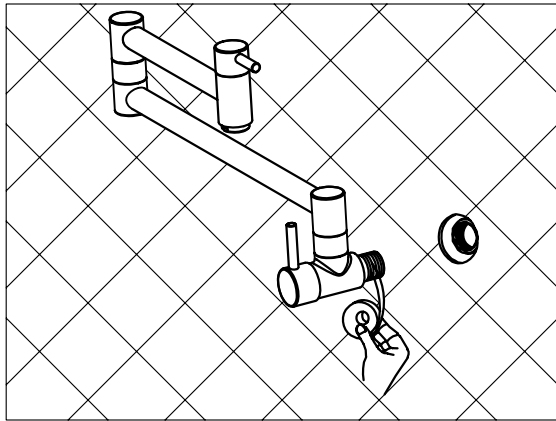
Adjustable Wrench



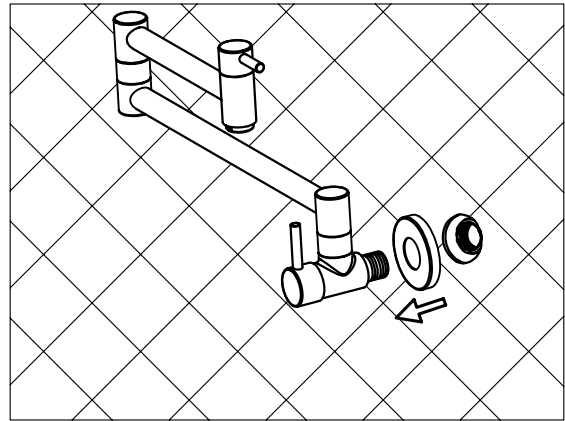
Pipe Tape



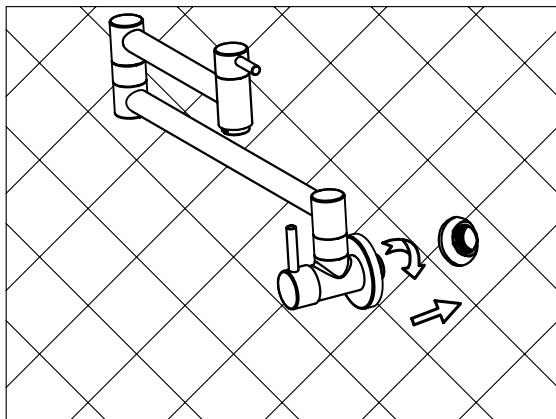
Hexagon Wrench



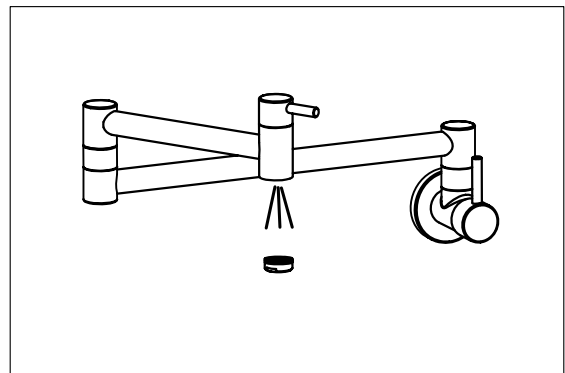
1. Wrap the thread on pipe with the plumber's tape.



2. Install the escutcheon on the flange.



3. Install the faucet on the mounting nipple and push the escutcheon against the wall.



4. Remove the aerator, turn on the water, then flush the faucet and check for the leaks. If ok, then turn off the water and install the aerator.